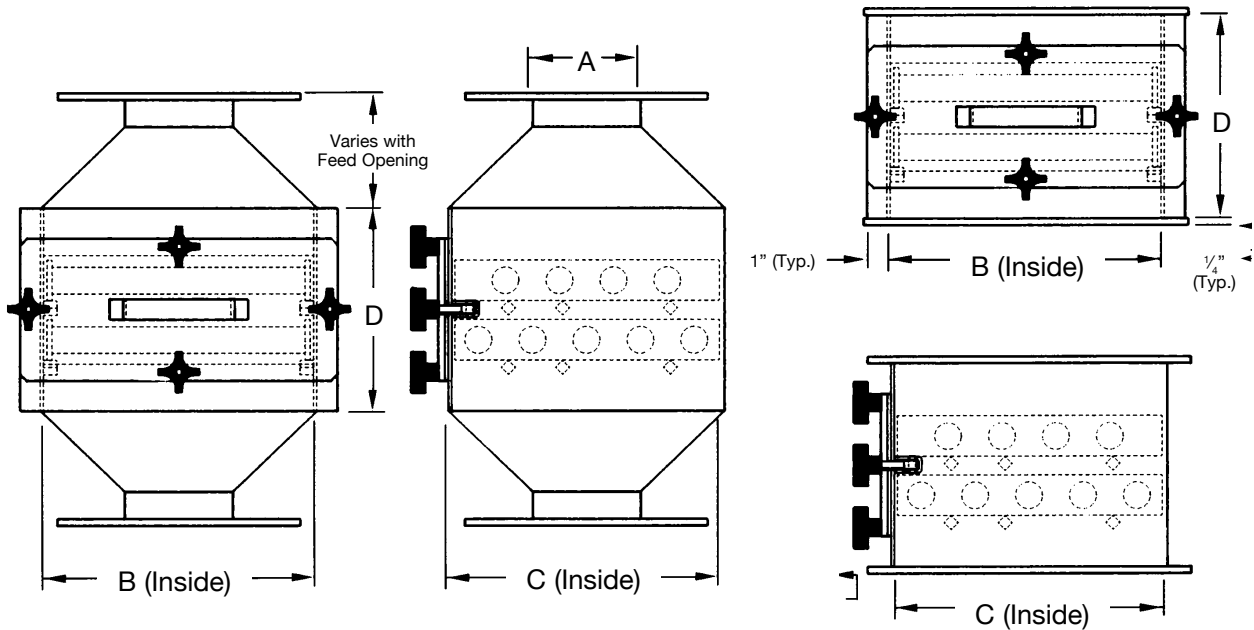




HF Series Drawer Magnet



HF Series Drawer Magnets

Dimensions in inches. Area in square inches.

Mild Steel Model No.	Stainless Steel Model No.	Housing Cross Section Area	A Square Spouting	A Round Spouting	B Width	C Depth	D Height
HF-2010	HFS-2010	100	6	6	10	10	6
HF-2012	HFS-2012	144	8	8	12	12	6
HF-2014	HFS-2014	196	9	10	14	14	6
HF-2016	HFS-2016	256	10	12	16	16	7½
HF-2018	HFS-2018	324	12	13	18	18	7½
HF-2020	HFS-2020	400	13	14	20	20	7½
HF-2022	HFS-2022	484	14	16	22	22	7½
HF-2024	HFS-2024	576	16	18	24	24	7½
HF-2026	HFS-2026	676	17	19	26	26	7½
HF-2028	HFS-2028	784	18	20	28	28	7½

Available in 1 to 5 rows of magnets



HF Series Drawer Magnet with Transitions



HF Series Drawer Magnet

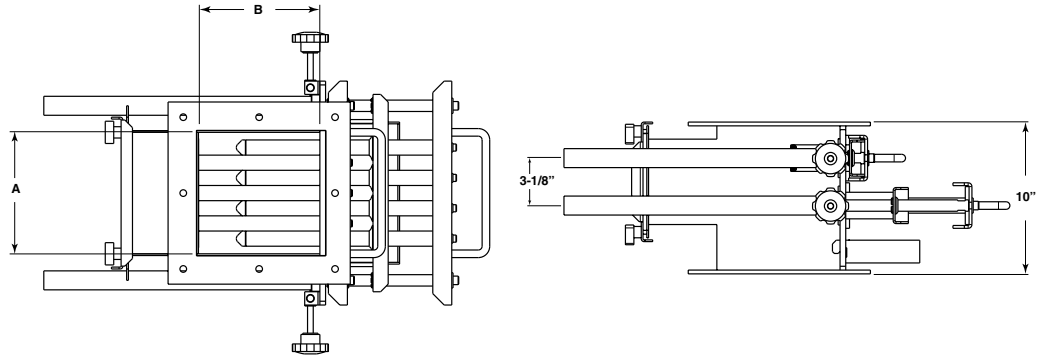
Metal detectable grommets and gaskets are standard on both models



Manual Self-Cleaning HF Drawer Magnets

Dimensions in inches. Area in square inches.

Model Number	Housing Cross Section Area	Square Spouting	Round Spouting	A	B
HFS2008-MSC	64	5	5	8	8
HFS2010-MSC	100	6	6	10	10
HFS2012-MSC	144	8	8	12	12
HFS2014-MSC	196	9	10	14	14

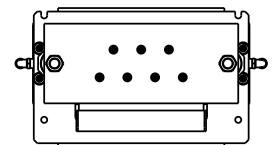
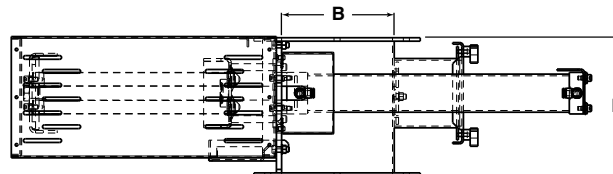
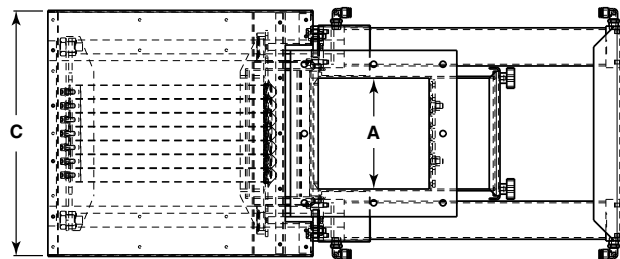


Pneumatic Self-Cleaning HF Drawer Magnets

Dimensions in inches. Area in square inches.



Model Number	Housing Cross Section Area	Square Spouting	Round Spouting	A	B	C	D
HFS2008-PSC	64	5	5	8	8	17.75	10
HFS2010-PSC	100	6	6	10	10	19.75	10
HFS2012-PSC	144	8	8	12	12	21.75	10
HFS2014-PSC	196	9	10	14	14	23.75	10
HFS2016-PSC	256	10	12	16	16	25.75	10.5
HFS2018-PSC	324	12	13	18	18	30.75	10.5
HFS2020-PSC	400	13	14	20	20	32.75	10.5
HFS2022-PSC	484	14	16	22	22	34.75	10.5
HFS2024-PSC	576	16	18	24	24	36.75	10.5



The Bunting® HF Series Drawer Magnet product line has earned the CE mark for the European Economic Area (EEA). The CE marking certifies that a product has met EU health, safety, and environmental requirements, which ensure consumer safety.

Specifications are subject to change without notice.